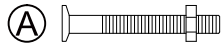


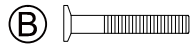
Item: CHW200207

THESE BOXES CONTAIN THESE PARTS:

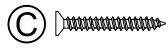
FASTENERS



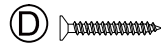
M6x55mm
(Qty.8)



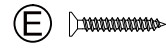
M6x40mm
(Qty.2)



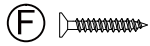
M3.5x45mm
(Qty.10)



M3.5x35mm
(Qty.12)



M3.5x30mm
(Qty.2)



M3.5x25mm
(Qty.7)



(Qty.2)



(Qty.8)

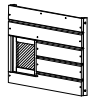
WOOD PIECES



Front panel



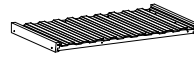
Back panel



Left panel



Right panel



Front roof



Back roof



Back deck board



Panel 1



Panel 2



Front deck board



Stair



Right side fence



Left rear side fence



Left side fence



Eave



Roof cap



Roof support x2

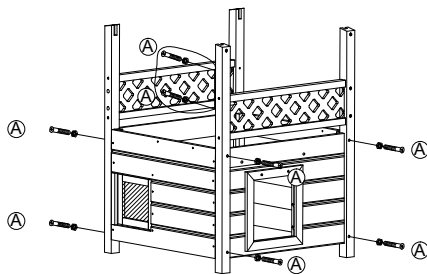


Front door flap

Assembly Instructions

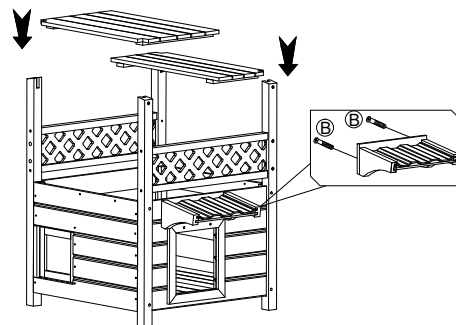
* Some parts of the product have preset dowel holes, pay attention to the dowel holes and then locking screws

1



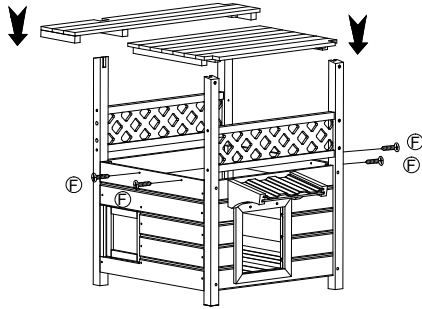
Assemble front panel, back panel, left panel and right panel to be a whole.

2



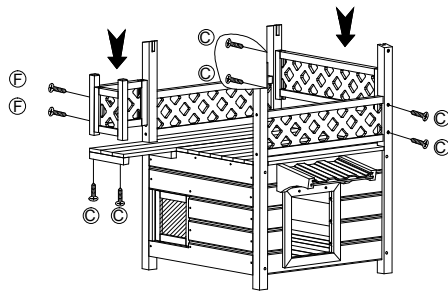
Drop into floor panel 1 and floor panel 2 and fix the eave on the front panel.

3



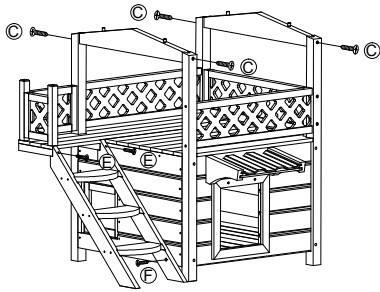
Assemble the front deck board and back deck board.

4



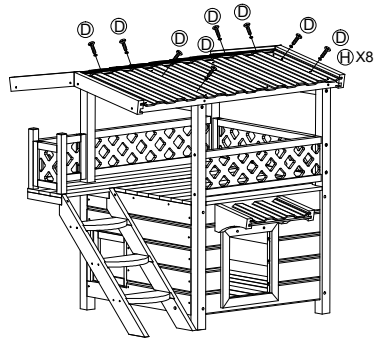
Assemble right side fence, left side fence and left rear side fence.

5



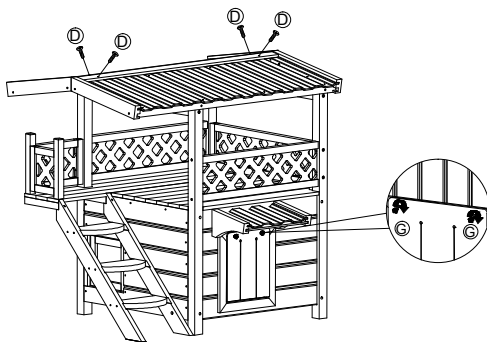
Install Roof support and stair.

6



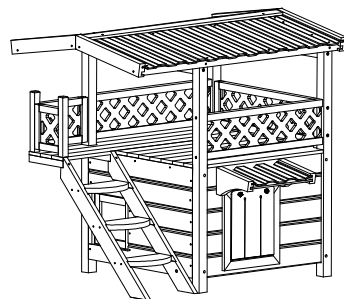
Assemble back roof and front roof.

7



Assemble the roof cap and front door flap.

8



TIPS: You can use storage box and feeder with the dog house together or individually.

Finished.